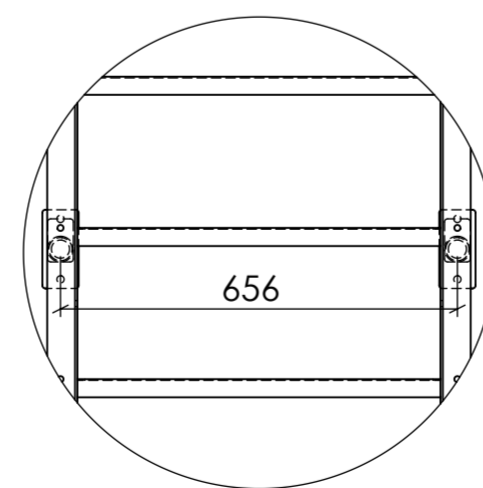
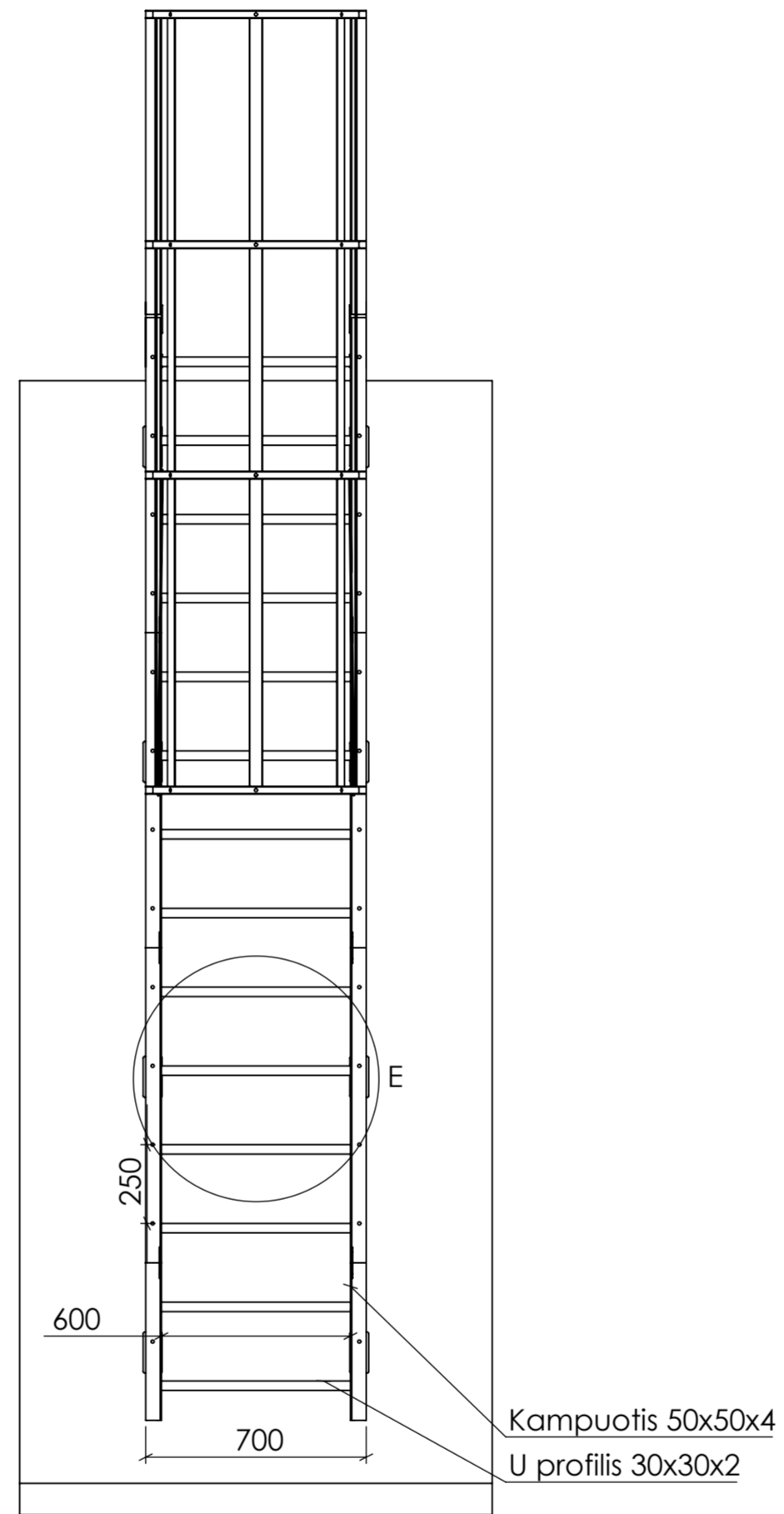
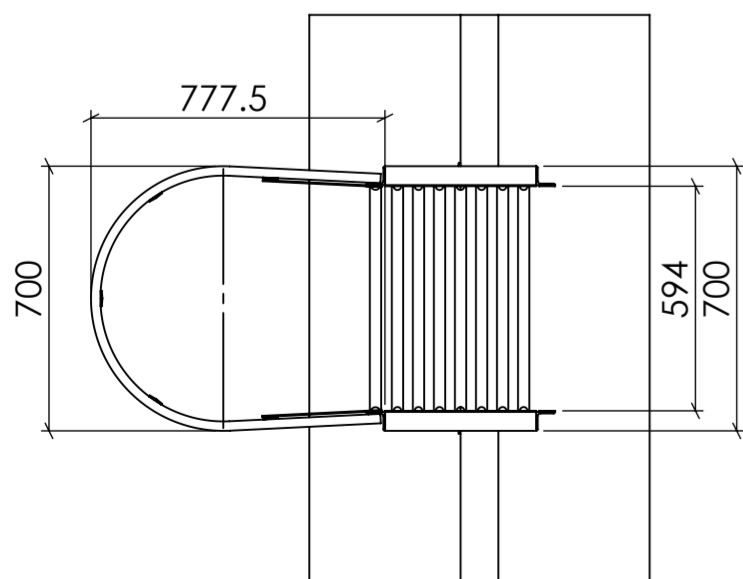
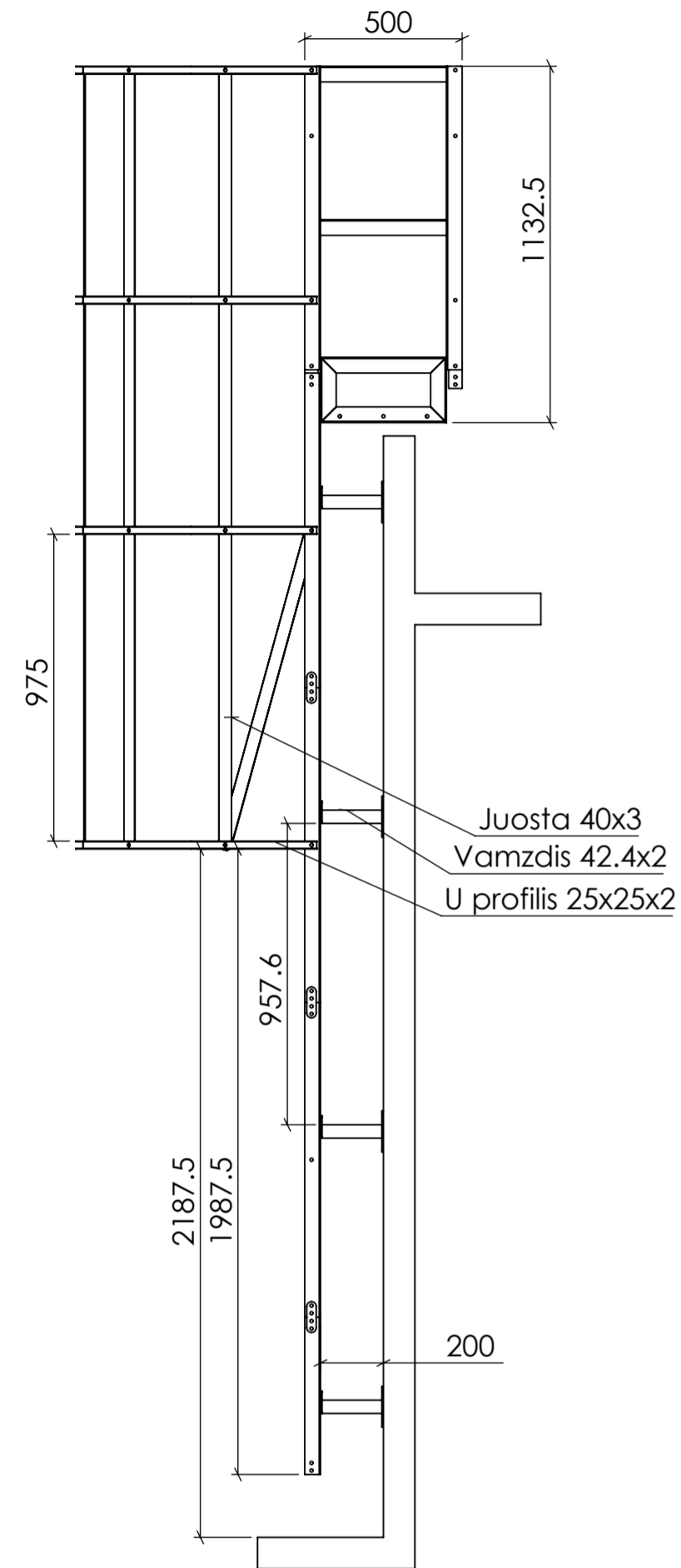


KOP_4.5



DETAIL E
SCALE 2 : 25

